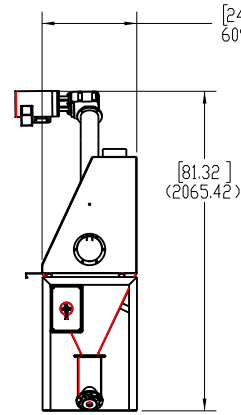
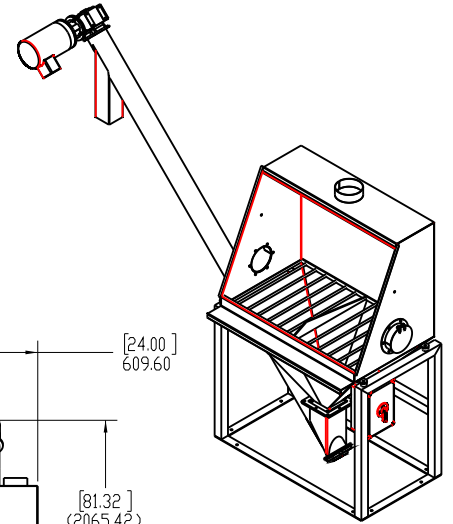
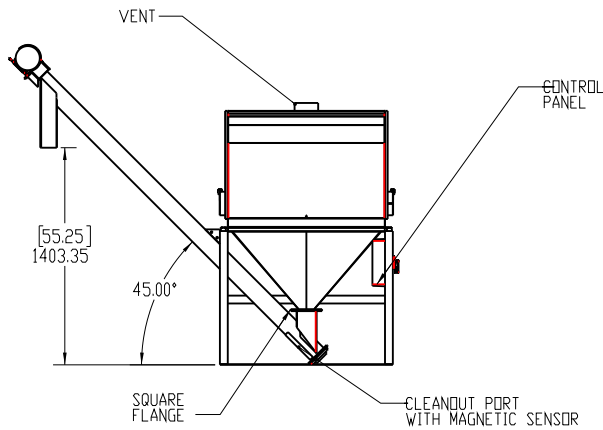
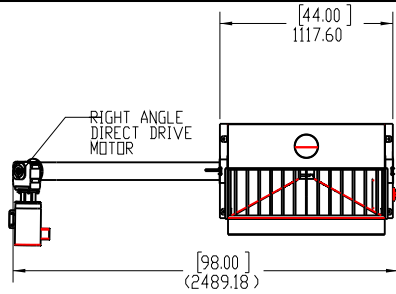



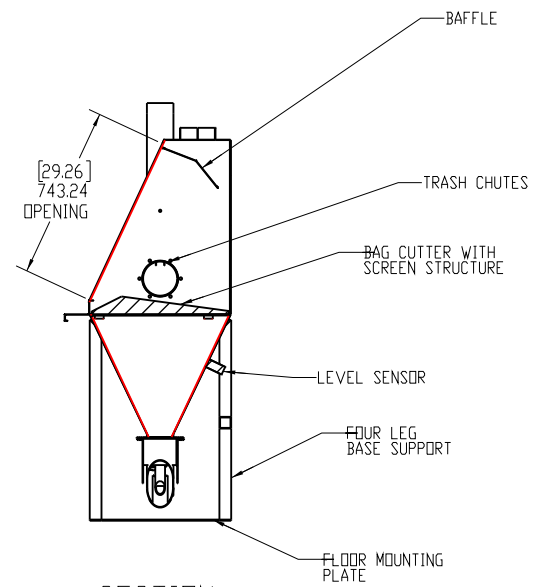
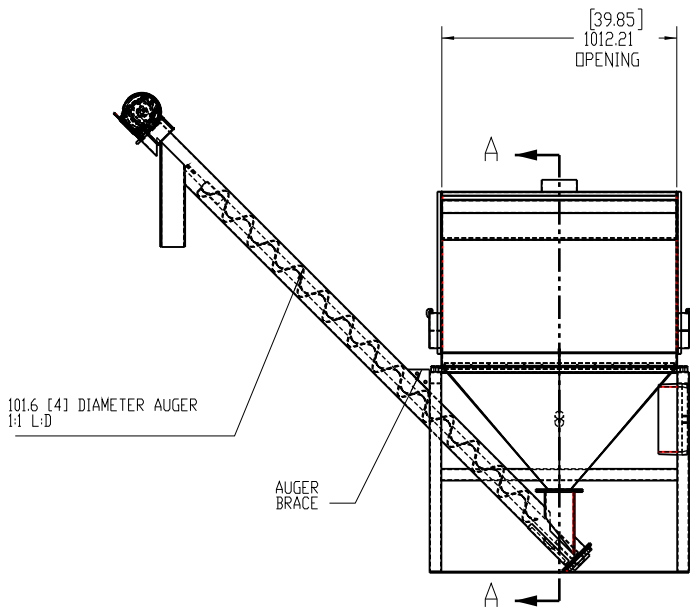
NOTES:



SYSTEM VOLUME: 13.14 CUBIC FEET  
 HOPPER VOLUME: 4.81 CUBIC FEET

THIRD ANGLE PROJECTION	SCALE 1:24	MATERIAL 304- ST1L STL HEAT TREAT	PART NAME <b>OBBS-A5CF</b>	
	FINISH ✓		FOR: DRB	
		DWN. BY: MJT DATE: 7-14-16 CHD:		
		APP'D: SUPERSEDES		
<small>PROPRIETARY: THE INFORMATION CONTAINED IN THIS DOCUMENT IS THE SOLE PROPERTY OF ORBETRON LLC. ANY REPRODUCTION IN PART OR AS A WHOLE WITHOUT THE WRITTEN PERMISSION OF ORBETRON LLC IS PROHIBITED.</small>		NUMBER REQ'D: 2	ITEM NO. NUMBER	SHEET SIZE B
		NEXT ASSEMBLY		
		REVISION 1		

NOTES:



SECTION A-A  
SCALE 1 : 16

ALL DIMENSIONS IN INCHES UNLESS OTHERWISE NOTED DO NOT SCALE DWG. BREAK ALL SHARP CORNERS UNLESS OTHERWISE SPECIFIED TOLERANCE UNLESS NOTED: ONE PLACE (XXX) ±.020 TWO PLACE (XXX) ±.010 THREE PLACE (XXXX) ±.005 FOUR PLACE (XXXXX) ±.0005 FRACTIONAL (X/XX) ± 1/32 ANGLES ±	THIRD ANGLE PROJECTION 	SCALE 1:25 FINISH <input checked="" type="checkbox"/>	MATERIAL 304-STL STL HEAT TREAT	PART NAME <b>BAG BREAK STATION - TYPE 1</b>
			FOR: ORB DWN. BY: MJT DATE: 7-14-16 QWB APP'D: SUPERSEDES	NUMBER REQ'D: 2 ITEM NO. NUMBER NEXT ASSEMBLY REVISION 1
				ORB0024-100 B